



JOHN HENRY

Rock Drill SP20/320

PRODUCT DESCRIPTION

The John Henry Rockdrill drills vertically, horizontally or virtually at any angle. Combined with the excavators 360 degree swing the working range is without equal. Excellent penetration rates are achieved by dedicating full power of the excavator to drilling functions. An additional 100HP diesel powered air compressor is installed to provide superior flushing air for the toughest drilling conditions. Working range, shipping dimensions and weights are typical for a John Henry mounted on a 45,000 pound excavator. Specifications may change depending on choice of excavator.

KEY FEATURES

- Heavy duty feedshell design available in 14', 20', or 24' capacity.
- JIMCO hydraulic drifter designed for 38, 45, or 51 mm drill steel.
- 300cfm high pressure rotary screw air compressor.
- Drill controls, hydraulic pilot operated, cab mounted.
- Water injection type, dust suppression system.
- The JOHN HENRY ROCK DRILL can be mounted on a variety of new or used excavators.
- Excellent penetration rates are achieved by dedicating full power of the excavator to drilling functions. An additional 100 hp diesel powered air compressor is installed to provide superior flushing air for the toughest drilling conditions.
- A steel drivin' machine that is practical, versatile, reliable, and cost effective.
- Proudly made in the U.S.A.



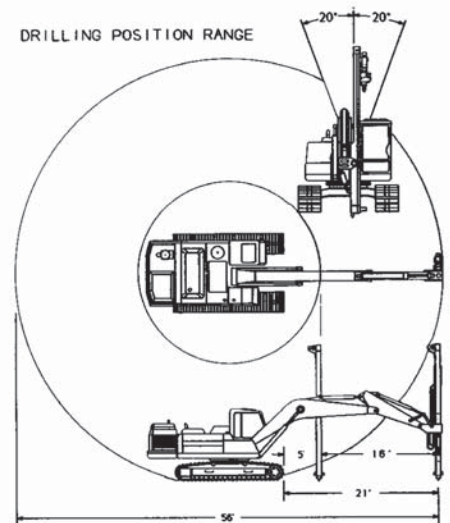
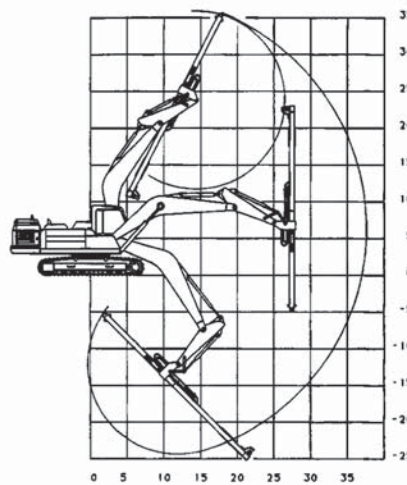
Rock Drill SP20/320 on CAT 320CL



Rock Drill In Action



Rock Drill In Action



3112 E State Rd 124
Bluffton, IN 46714
USA

T. 1-800-252-0043
P. 1-260-824-6340
F. 1-260-824-6350

nescosales.com
www.nescosales.com
An American Company

Effective Date
08/18/08